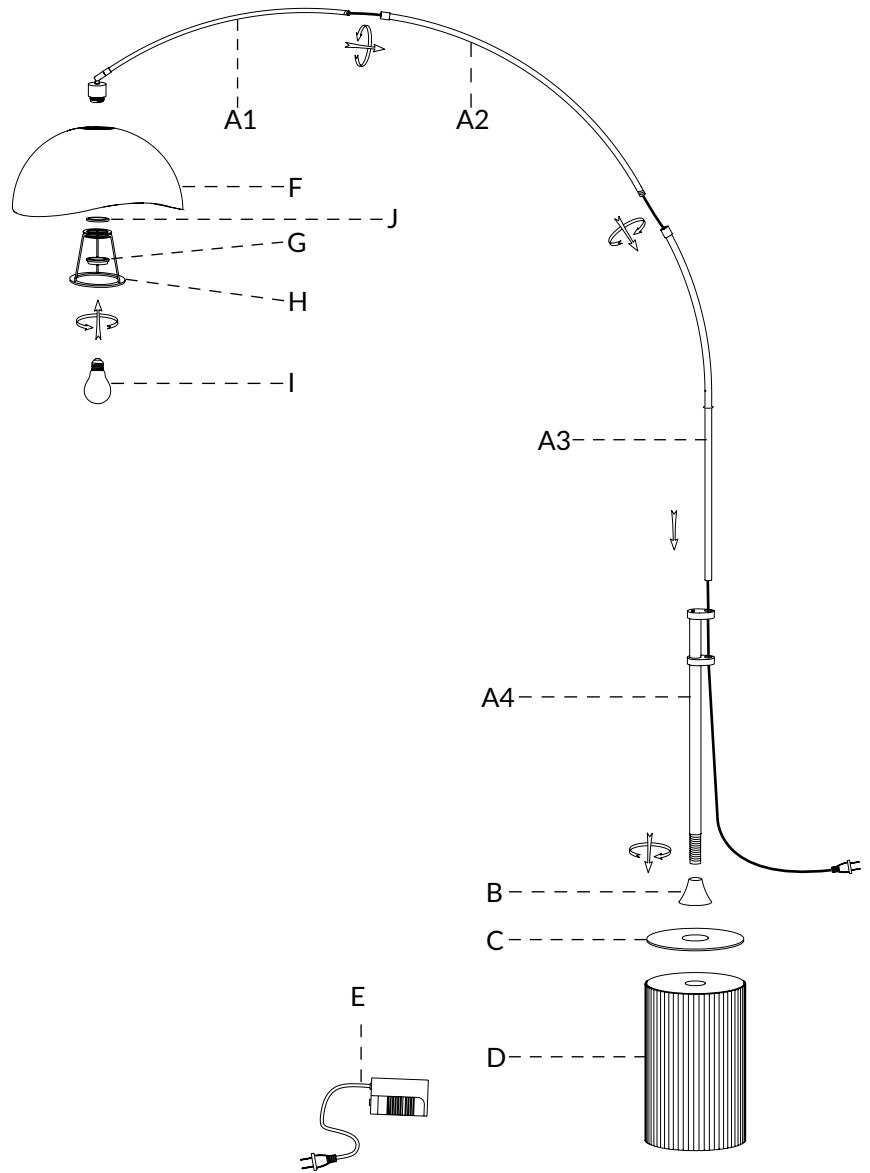


# ASSEMBLY INSTRUCTIONS

## Tambo 1 Light Arc Lamp with Luna Bella Shade

- Carefully remove all parts from the carton and place them on a clean surface. Please refer to the list of included items inside the carton.
- Connect the first 3 lamp body sections (A1 to A2 and A2 to A3).
- Insert the assembled sections (A1- A3) into the final section (A4). Push down on the lower locking ring on section A4 to lock section A3 into place at desired height.
- Adhere the base top plate (C) to the top of base (D), then insert the assembled lamp body (A) through collar (B) and top plate/base (C/D).
- Rotate the base (D) to secure the lamp assembly, then stand it on a level surface.
- Attach shade (F), protective disk (J), and diffuser (H) to socket of the lamp body (A) and secure with socket ring (G).
- Insert the light bulb (I) into the socket.
- Connect plug into dimmer switch (E).
- Plug into a surge protected 120v outlet and enjoy the beautiful light!



### ITEMS INCLUDED / ARTÍCULOS INCLUIDOS

A (1-4)	B	C	D	E	F	G	H	I	J
LAMP BODY/ CUERPO DE LA LÁMPARA	COLLAR/ CUELLO	BASE TOP PLATE/ PLACA SUPERIOR DE LA BASE	TAMBO BASE/ BASE TAMBO	DIMMER SWITCH/ INTERRUPTOR DE ATENUACIÓN	SHADE/ PANTALLA	SOCKET RING/ ANILLO DE ENCHUFE	DIFFUSER/ DIFUSORA	LIGHT BULB/ BOMBILLA	PROTECTIVE DISK/ DISCO PROTECTOR

### IMPORTANT SAFETY INSTRUCTIONS

This lamp has a polarized plug (one blade is wider than the other) as a safety feature to reduce the risk of electric shock. This plug will fit in a polarized outlet only one way. If the plug does not fit fully in the outlet, reverse the plug. If it still does not fit, contact a qualified electrician. Never use with an extension cord unless the plug can be fully inserted. Do not alter the plug.

### INSTRUCCIONES DE SEGURIDAD IMPORTANTES

Esta lámpara tiene un enchufe polarizado (una de las clavijas es más ancha que la otra) como medida de seguridad para reducir el riesgo de descarga eléctrica. Este enchufe solo encaja en una toma de corriente polarizada de una sola manera. Si el enchufe no entra completamente en la toma, gírelo. Si aun así no encaja, contacte con un electricista cualificado. No lo utilice nunca con un cable de extensión a menos que el enchufe pueda insertarse completamente. No modifique el enchufe.